



**SMART HEATING
TECHNOLOGY**

Purity to Nature
Savings to Clients
Comfort to Users



Smart Air Heaters 360°

- ABS Light Weight Body
- 15-30 Metres 360° Air Throw
- Stainless Steel Flaps for Airflow Regulation
- Double Coated Exchanger
- Capacity >10.000 m³ per hour
- Heating/Drying without CO₂ Production
- Better Environment for Animals
- Dry Heat
- Dry Litter / Animal Waste
- Reduce Animal Feet Problems so Less Antibiotics Required
- Much lower NH₂ Level
- Better Feed Conversion Rate
- Easy to Pre-Heat the Floor
- Easy Cleaning/Easy Maintenance/Easy Service

Smart Air Heaters 360° a unique air distribution unit



The Smart Air Heaters 360° unit consists of high efficiency heat exchanger, axial fan and a unique designed distribution device. Hot water is supplied from an external boiler and passes the heat exchanger. The fan sucks the air from inside the building through the heat exchanger and pushes the warm air equally through the 6 air outlets.

The amount of air and the directions can be adjusted by the flaps inside each air outlet. The units are hanging in the middle of the building whereby an ideal distribution is guaranteed to all corners in the building.

The air can be distributed up to 15 m, subsequently for 30 m wide houses.

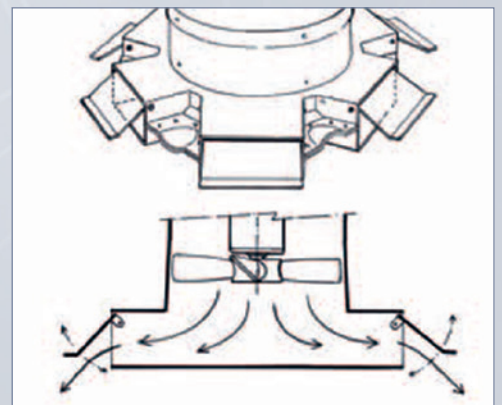
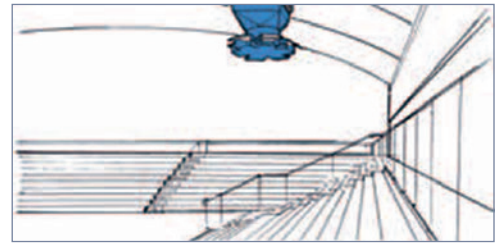
Recirculation duct

Warm air reaches the sidewalls and rises to the ceiling, where it returns to the HW unit for a natural circulation of warm air.

Advantages:

- Perfect distribution of the heat
- Less energy costs
- Nonhazardous, no open flame
- Durable ABS material
- Possible to use as cooling

The unit is patented and registered.



		Smart Air Heater 25	Smart Air Heater 50	Smart Air Heater 60	Smart Air Heater 70
Air displacement		3 000 m³/h	10 400 m³/h	10 400 m³/h	10 400 m³/h
Fan		230 V/0,9 A 170 W/ 1400 RPM	400 V/1,3 A 600 W/900 RPM	400 V/1,3 A 600 W/900 RPM	400 V/1,3 A 600 W/900 RPM
Measurement		830 x 535 x 860	1115 x 1062 x 920	1115 x 1062 x 950	1115 x 1062 x 980
Water connection		G 3/4"	G 1"	G 5/4"	G 5/4"
Weight incl. water		32 kg	82 kg	86 kg	90 kg
Performance at 90 °C – 70 °C water temperature					
Ambient temp. at:	20 °C	28 kW - 1,3 m³/h - 20 kPa	75 kW - 3,3 m³/h - 37 kPa	93 kW - 4,2 m³/h - 35 kPa	111 kW - 4,9 m³/h - 38 kPa
Performance at 80 °C – 65 °C water temperature					
Ambient temp. at:	20 °C	25 kW - 1,5 m³/h - 27 kPa	66 kW - 3,9 m³/h - 50 kPa	82 kW - 4,8 m³/h - 47 kPa	97 kW - 5,7 m³/h - 51 kPa



SMART HEATING TECHNOLOGY s.r.o.
U Stalku 653/24, 717 00 Ostrava-Bartovice
Czech Republic
www.SmartHeating.cz

Phone: +420 777 960 560
+420 734 751 655
+420 777 258 481
Email: Sales@SmartHeating.cz