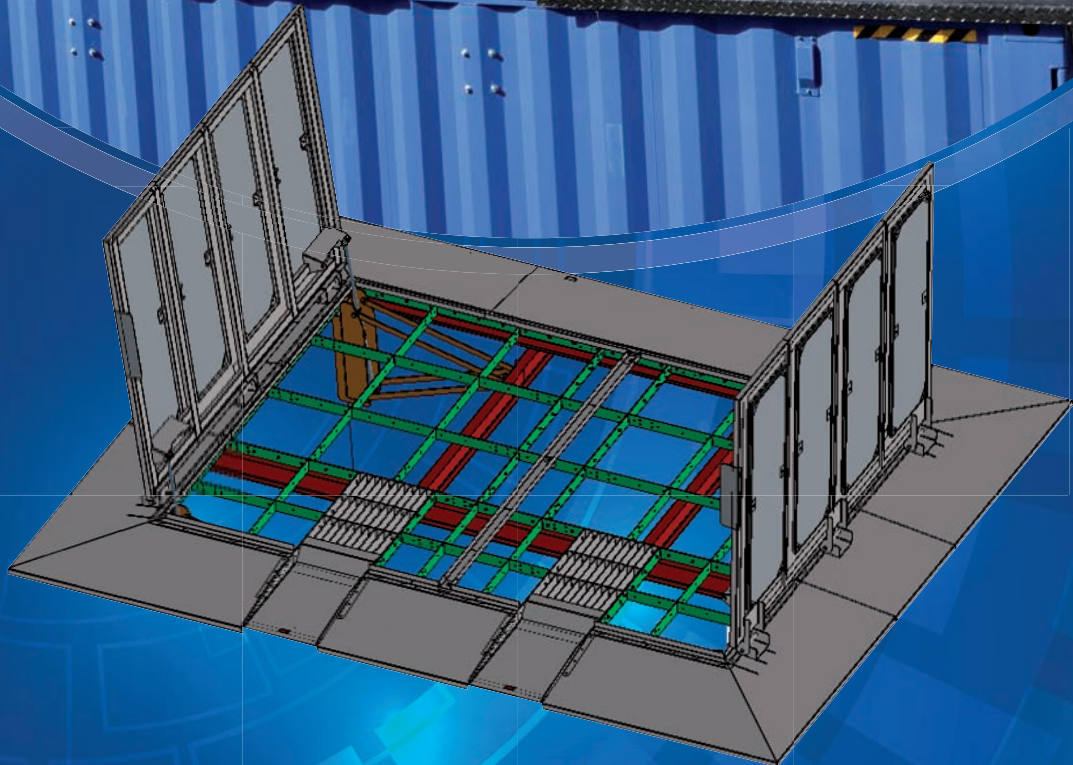




SMART HEATING
TECHNOLOGY



SMART HYDRAULIC HATCH

for transport automation and biofuel storage

- Single-wing / double-wing design for automatic filling and storage of biomass
- Complete set of hydraulic pistons, hydraulic aggregate and mains
- Atmospheric precipitation resistant design with moisture exhaustion system
- Design variant with supporting ramps and protective barriers
- Remote control
- Light and sound indication of movement and warning marking at full opening
- Monitoring and indication of material level in the silo together with design of its filling
- Protecting grid against falling into the silo
- Service opening for emergency entry into the silo

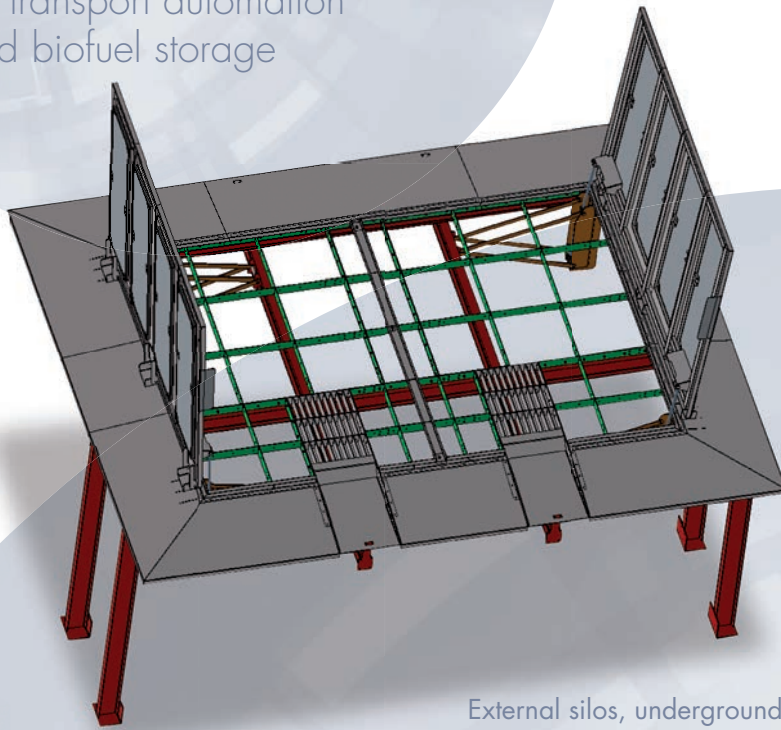
SMART HYDRAULIC HATCH

for transport automation and biofuel storage

Purity to Nature
Savings to Clients
Comfort to Users



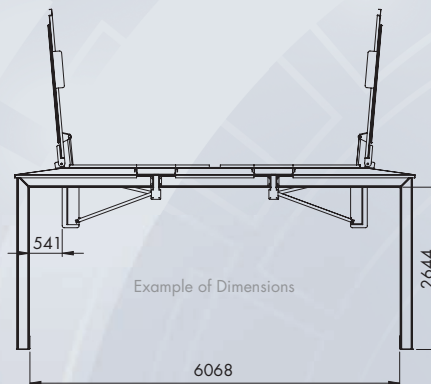
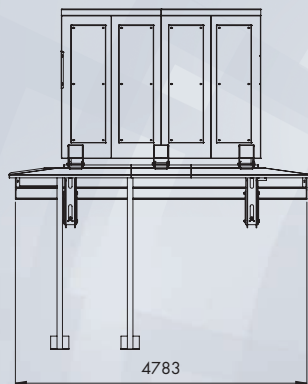
ISO 9001:2009



Use:
External silos, underground silos,
container silos

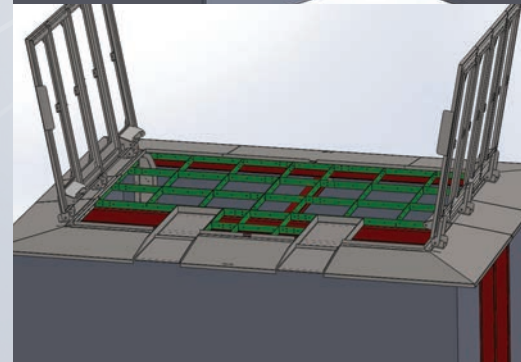
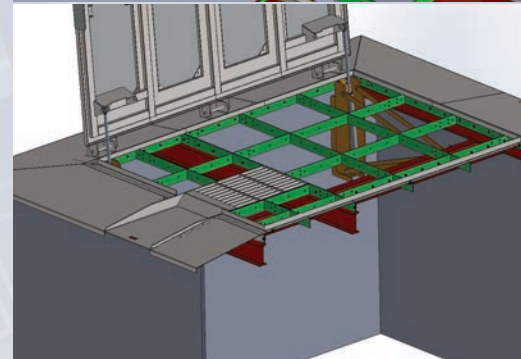
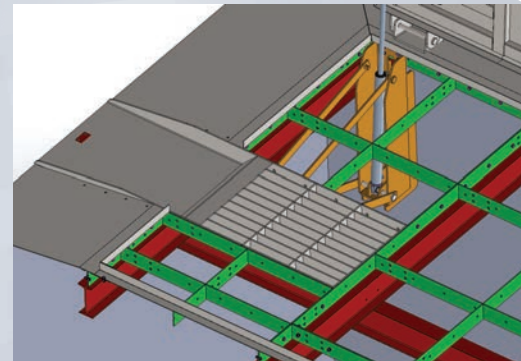
Dimensions:

Minimum – Maximum dimensions of the manhole: 1 x 1 m – 6 x 6 m



Example of Dimensions

Specification and design ↓



Installation →



SMART HEATING TECHNOLOGY s.r.o.
U Statku 653/24, 717 00 Ostrava-Bartovice
Czech Republic
www.SmartHeating.cz

Phone: +420 777 960 560
+420 734 751 655
+420 777 258 481
Email: Sales@SmartHeating.cz